



Herkules Hexadust Dust Extraction System

Tailor-made vacuum dust extraction solutions for workshops of any size. A workshop analysis and a modular system make it possible to install the best new system or to modify an existing installation.

The Hexagon Energy Head provides the work places with vacuum power, air pressure and electricity. The standard automatic start and shut off enables healthy working, a clean workshop and energy savings.

Hexadust

The modular designed dust extraction system

T 2 - Turbo



Up to 2 sanders at the same time.

Art.No. E1D

T 4 - Turbo



Up to 4 sanders at the same time.

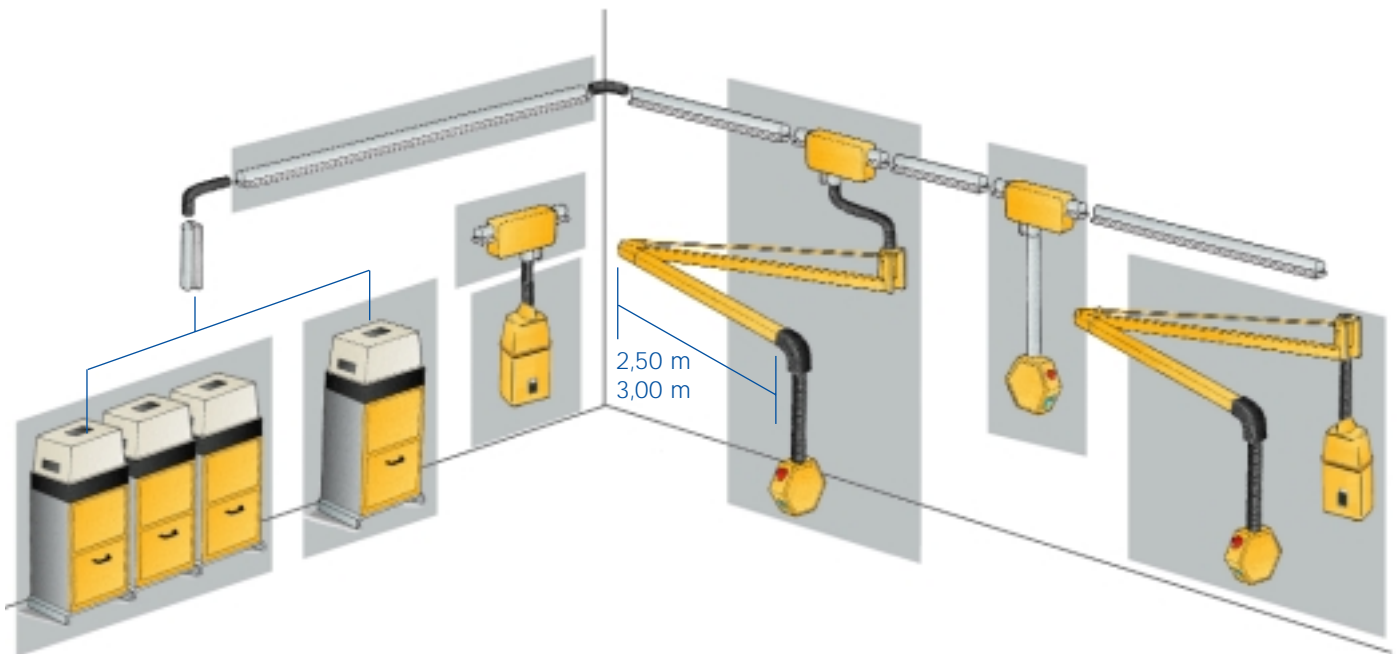
Art.No. E1C

T 6 - Turbo



Up to 8 sanders at the same time.

Art.No. E1K



The Hexadust dust extraction system is equipped with the same type of hexagon at any working place.

The swivel arms are 5 or 6 meters long. The various ports are connected through a pipe system for vacuum, compressed air, electricity cable, incl. flexible bends and supports.

Automatic start of the system for both air and electrical tools and automatic pneumatic filter cleaning as standard equipment.

Single- or multiple user system?

We have both systems and supply what is necessary.